

# DESIGNER LINE WARMER

**Model: DL2WE-PT**

*Designer Line*

## 2-Section Extra-Wide Pass-Thru Warmer

DL2WE-PT - Stainless steel front, aluminum end panels and interior  
 DL2WE-SA-PT - Stainless steel exterior, aluminum interior  
 DL2WE-SS-PT - Stainless steel exterior and interior



### Options and Accessories

(upcharge and lead times may apply)

Additional chrome plated steel shelves	Special electrical req. (consult factory)
Stainless steel shelves	Rehinging of doors (consult factory)
Universal pan slides	<b>Correctional Facility Options</b>
Casters	<ul style="list-style-type: none"> <li>One way security screws</li> </ul>
Custom laminates	<ul style="list-style-type: none"> <li>Locking hasp (lock not included)</li> <li>Stainless steel mesh cover</li> <li>Coverless hinges</li> </ul>

Consult factory for other model configurations, options and accessories.

**Continental**  
Refrigerator



Project Name:

Model Specified:

Location:

Item No:

Quantity:

AIA #:

SIS #:

### Standard Model Features

#### HEATING SYSTEM

Self contained, performance rated heating system  
 90°F to 180°F temperature range  
 Top mounted heating plenum "plug" with circulating fan  
 Unique air flow distribution ducts

#### CABINET ARCHITECTURE

3" non-CFC polyurethane foam insulation  
 Smooth, polished chrome workflow door handles  
 Cam action, lift off hinges  
 Self-closing doors  
 Magnetic snap in Santoprene™ door gaskets  
 Cylinder lock in each door  
 Heavy duty, chrome plated steel shelves  
 Heavy duty pilaster strips  
 Adjustable 6" stainless steel legs

#### MODEL FEATURES

Automatic interior lighting  
 Electronic controller with digital display & hi-low alarm  
 Stainless steel strip heaters located in base of interior

APPROVAL:

# Model Specifications

## DIMENSIONAL DATA

Net Capacity (cubic feet)	52 (1472 cu l)
Width, Overall (inches)	57 (1448 mm)
Depth, Overall (inches) (including handles)	38 3/4 (984 mm)
Depth (inches) (less doors)	32 (813 mm)
Depth (inches) (doors open 90°)	84 (2134 mm)
Clear Door Width (inches)	21 7/8 (556 mm)
Clear Door Height (inches)	58 5/8 (1489 mm)
Height, Overall (inches) (including 6" legs)	83 1/4 (2115 mm)
Number of Doors	4
Number of Shelves	6
Shelf Area (square feet)	44.5 (4.1 sq m)
Tray Slide Capacity (per section)	19

## ELECTRICAL DATA

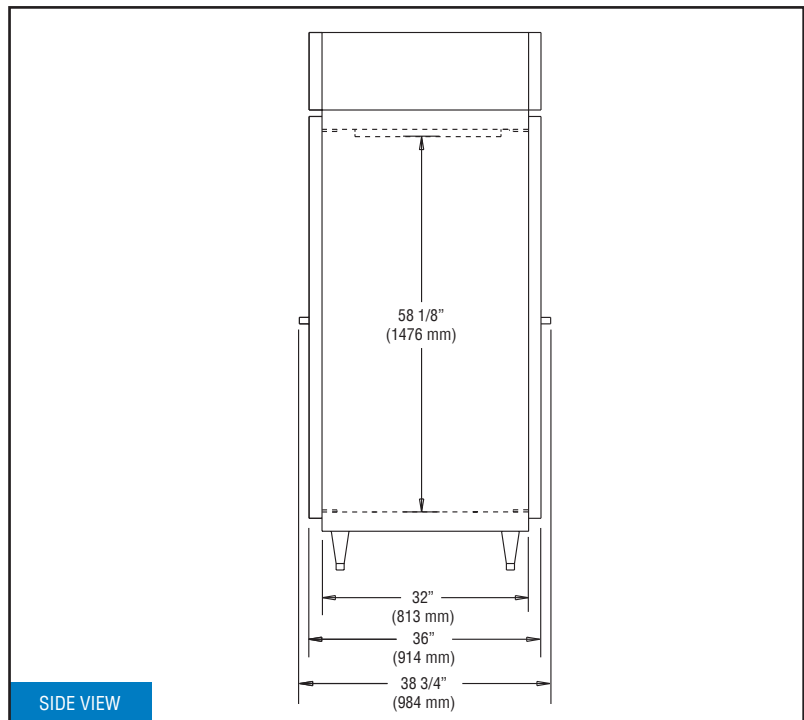
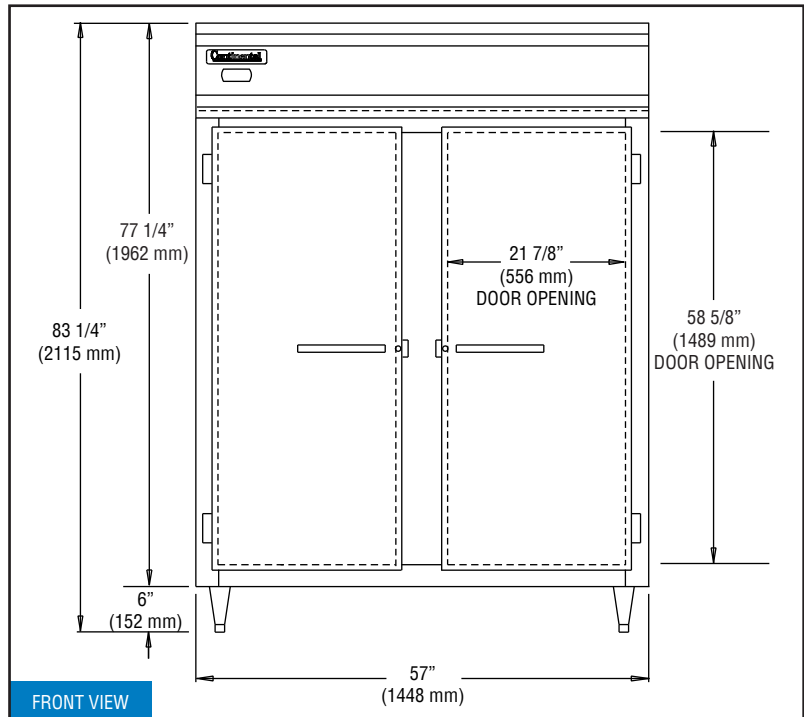
Voltage	208-230/60/1
Feed Wires (including ground)	3
Total Amps (International)	10.6 (10.6)
Total Wattage @ 208-230 volts	2250
10 ft. Cord/Plug (International)	No (No)

## SHIPPING DATA

Height - Crated (inches)	85 1/2 (2172 mm)
Width - Crated (inches)	64 (1626 mm)
Depth - Crated (inches)	42 (1067 mm)
Volume - Crated (cubic feet)	133 (3766 cu l)
Weight Std - Crated (pounds)	590 (268 kg)
Weight SS - Crated (pounds)	620 (281 kg)

Figures in parentheses reflect metric equivalents rounded to the nearest whole unit.

# Model Plan Views



**IMPORTANT NOTE:** If the cabinet is located directly against a wall and/or under a low ceiling, a minimum clearance of 12" is required on top and 3" on sides and rear.

**Continental**  
Refrigerator

Toll-Free: 800-523-7138  
Phone: 215-244-1400  
Fax: 215-244-9579

539 Dunksferry Road  
Bensalem, PA 19020  
[www.continentalrefrigerator.com](http://www.continentalrefrigerator.com)

Due to our continued efforts in developing innovative products, specifications subject to change without notice.



PROUDLY  
DESIGNED & ASSEMBLED  
IN THE U.S.A.

**Intertek**

© Copyright 2021. Continental Refrigerator.  
A Division of National Refrigeration & Air Conditioning Products, Inc.

REVISED: 6/29/24